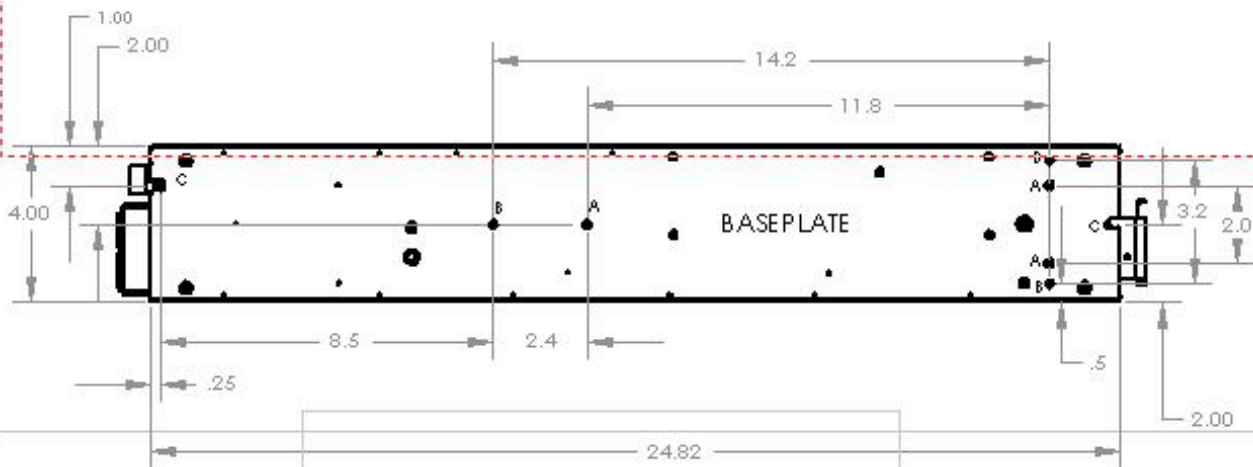
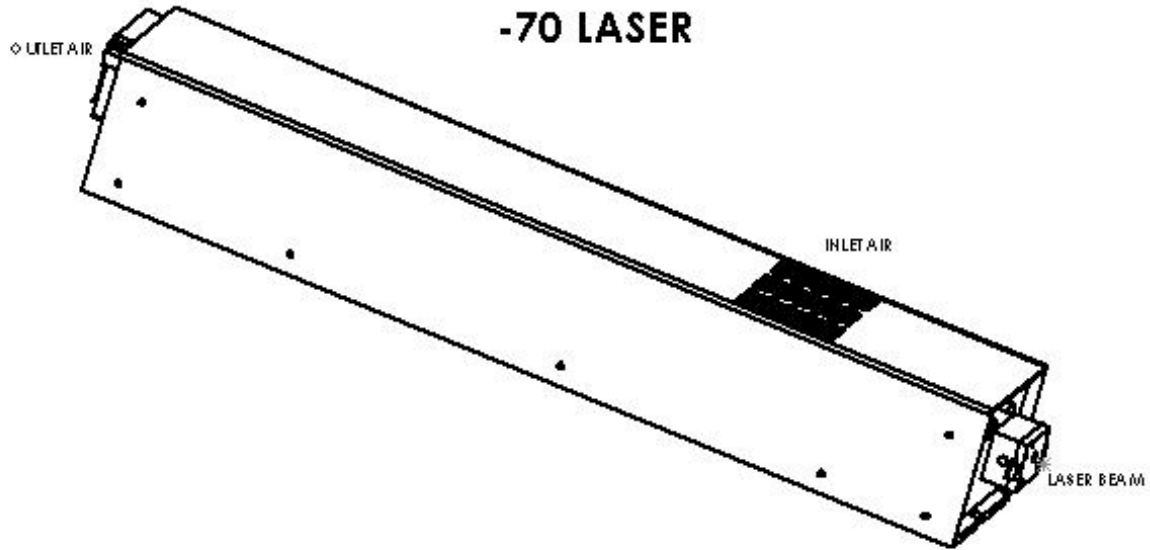
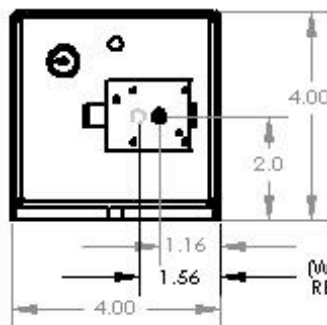


# -70 LASER



FRONT



DIMENSIONS (inches)

A= 1/4-20 UNC (English)  
 B= M5 X.8 (Metric)  
 C-1/4" SLOT

(WITH PLASMA LINE REJECTION FILTERS)